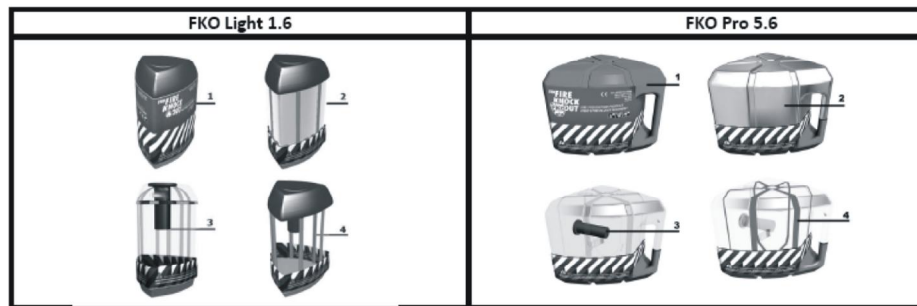


Fire Knock Out - Fights Fire in Just Seconds!



WHAT DOES A FIRE KNOCK OUT CONTAIN?

The two FKO Fire Knock Out models consist of the following 4 main elements:



1. Container
2. Extinguishing fluid
3. Tube with activating powder
4. Quick activation fuse

The packing is hermetically dust-proof and moisture-proof, so that the maintenance is limited to a periodical visual inspection.

HOW DOES THE FIRE KNOCK OUT WORK?

The FKO Fire Knock Out has a special feature: it automatically starts to operate when it comes into contact with open fire and then fights the seat of a fire within a few seconds. The plastic container is filled with a harmless fire extinguishing fluid and activation (powder) material, on which a quick fuse is fitted.

As soon as the fuse comes into contact with open fire, the container splits open. During a short moment all oxygen in and around the seat of the fire is removed, as a result of which the fire is fought immediately.

The fire extinguishing fluid that has been atomized into water vapor cools down the heat source, while the added delaying substances reduce the chance that the seat of a fire will be ignited again to a minimum. All this only takes a few seconds. The plastic residuals that remain after use can be collected easily and can be fully recycled.

LADWATM
Making the World Safer

Ladwa Safety Solution Pvt. Ltd.

An ISO 9001:2000 Company
"SAFETY HOUSE", # 152, 20th Cross,
17th Main, HSR Layout, 3rd Sector
Bangalore - 560 034. INDIA
T : +91 80 25726443 / 64519053
F : +91 80 25726553 M : +91 9611105270

pdfMachine

A pdf writer that produces quality PDF files with ease!

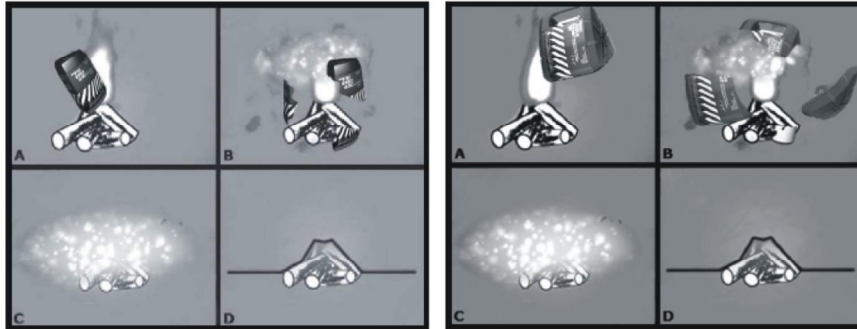
Produce quality PDF files in seconds and preserve the integrity of your original documents. Compatible across nearly all Windows platforms, if you can print from a windows application you can use pdfMachine.

Get yours now!

Fire Knock Out - Fights Fire in Just Seconds!



FKO: Step by Step:



The workings of the FKO Fire Knock Out products can be explained in the following 4 steps:

- The FKO Fire Knock Out reacts within seconds after the fuses get in contact with open fire.
- Through the energy released by this activation, the container opens.
- With the help of the high force opening the extinguishing fluid is spread over the fire in very little drops (haze) and changes into steam. The steam leads to a fast decrease of temperature and prevents the fire to get in contact with oxygen again.
- An environmental friendly agent in the extinguishing fluid covers the inflammable materials, in order to minimize the risk of reignition of the fire.

WHAT IS THE RESPONSE TIME?

FKO works within 3 to 10 seconds upon contact with fire.

HOW TO USE THE FIRE KNOCK OUT?

The FKO Light 1.6 is to be used as a fire prevention product. This can be done in two ways, Active and Passive. Active being when the user throws the FKO into the fire and passive, when FKO detects fire by itself and extinguishes it without any manual support. The FKO Light 1.6 and Pro 5.6 products are complementary to existing standard fire extinguishers, and not to replace them.

The FKO Fire Knock Out Pro 5.6 can be used as an active fire fighting (and preventive) product. The FKO Pro 5.6 model has a plastic handle, making it easy to carry around or hang it up as a preventive measure.

LADWATM
Making the World Safer

Ladwa Safety Solution Pvt. Ltd.

An ISO 9001:2000 Company
"SAFETY HOUSE", # 152, 20th Cross,
17th Main, HSR Layout, 3rd Sector
Bangalore - 560 034. INDIA
T : +91 80 25726443 / 64519053
F : +91 80 25726553 M : +91 9611105270

pdfMachine

A pdf writer that produces quality PDF files with ease!

Produce quality PDF files in seconds and preserve the integrity of your original documents. Compatible across nearly all Windows platforms, if you can print from a windows application you can use pdfMachine.

Get yours now!

Fire Knock Out - Fights Fire in Just Seconds!



WHERE TO INSTALL THE FIRE KNOCK OUT?

FKO is to be placed near places with a high risk of fire or thrown actively into the fire, for instance:

- Electrical panels, fuse box, Gas cylinders;
- Central heating boilers;
- Storage rooms, sheds;
- Cars, trucks, ship, train;
- Home, garage, warehouse, plant and factory;
- Energy plants, petrochemical industry, etc.



The products are broadly applicable because of their low weight and small size and can be used in open and closed areas.

LADWATM
Making the World Safer

Ladwa Safety Solution Pvt. Ltd.

An ISO 9001:2000 Company
"SAFETY HOUSE", # 152, 20th Cross,
17th Main, HSR Layout, 3rd Sector
Bangalore - 560 034. INDIA
T : +91 80 25726443 / 64519053
F : +91 80 25726553 M : +91 9611105270

pdfMachine

A pdf writer that produces quality PDF files with ease!

Produce quality PDF files in seconds and preserve the integrity of your original documents. Compatible across nearly all Windows platforms, if you can print from a windows application you can use pdfMachine.

Get yours now!